

REVO VM II PRO series

Hybrid Energy Storage Inverter

1.5/3/3.5/5.5KW



MPPT

Pure sine wave MPPT solar inverter
BUILT-IN 80/100A MPPT solar charger



Battery

Battery equalization function extend lifecycle
Reserved communication port (RS485, CAN) for BMS



Off-Grid

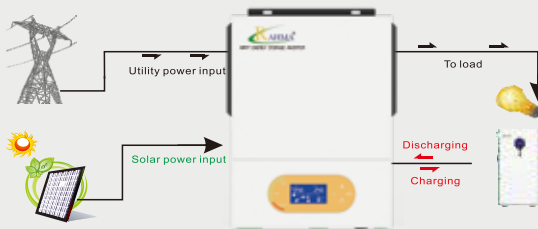
REVO VM II Pro series is suitable for off-grid applications.



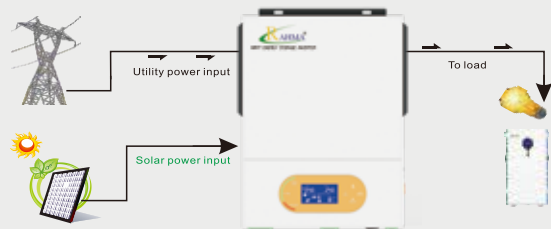
Easy access

High PV input voltage range
With touch buttons

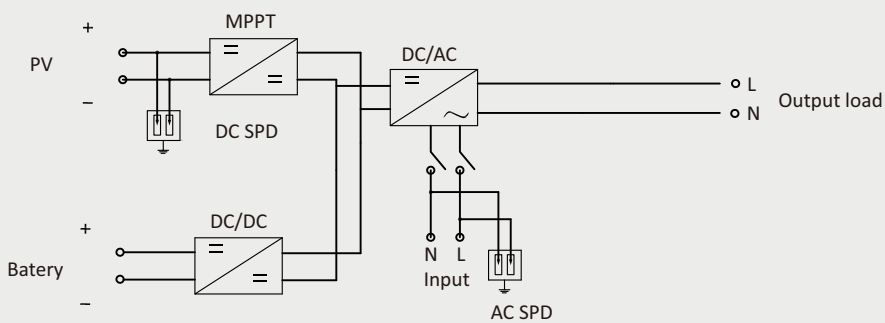
With battery connected



Without battery connected



Schematic diagram



Technical Specification	REVO VM II PRO			
Rated Power	1500VA/1500W	3000VA/3000W	3500VA/3500W	5500VA/5500W
AC INPUT				
Voltage	230VAC			
Selectable Voltage Range	170-280VAC (For Personal Computers) ; 90-280 VAC (For Home Appliances)			
Frequency Range	50Hz/60 Hz (Auto sensing)			
AC OUTPUT				
AC Voltage Regulation (Battery Mode)	230VAC \pm 5%			
Surge Power	3000VA	5000VA	7000VA	11000VA
Efficiency (Peak)	up to 93.5%			
Transfer Time	10ms (For Personal Computers) ; 20ms (For Home Appliances)			
Waveform	Pure sine wave			
BATTERY				
Battery Voltage	12VDC	24VDC	48VDC	
Floating Charge Voltage	13.5VDC	27VDC	54VDC	
Overcharge Protection	16VDC	33VDC	63VDC	
SOLAR CHARGER & AC CHARGER				
Maximum PV Array Open Circuit Voltage	500VDC			
Maximum PV Array Power	2000W	3000W	4500W	5500W
MPPT Range @ Operating Voltage	90~450VDC		60~450VDC	
Maximum Solar Charge Current	80A		100A	
Maximum AC Charge Current	60A		80A	
Maximum Charge Current	80A		100A	
GENERAL PARAMETER				
Operating Temperature	-10°C to 50°C			
Relative humidity	5% to 95% Relative Humidity (Non-condensing)			
Dimensions D x W x H (mm)	348*270*95		400*300*115	
Net Weight(KG)	4	5	8.5	9
DISPLAY AND COMMUNICATION				
Communication Interface	Standard: RS232; Optional: CAN&RS485			
Safety standard	EN/IEC 62109-1, EN/IEC 62109-2			